

# Common Mode Power Inductors-CLCM-1006 Series



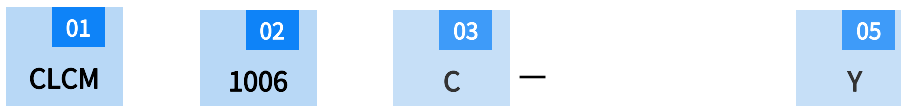
## FEATURES

- Operating temperature range covers from -40 to +105°C.
- Non-dissolution of the abutment amounts in circuit board mounting.
- The products contain no lead and also support lead-free soldering.
- This product conforms to the standards that are slated to be introduced under the RoHS Directive.

## APPLICATIONS

- Video recorders, OA equipment, LCD computer, GPS, Notebook computer, DC - DC converters, etc

## PRODUCT IDENTIFICATION



01 TyPe	
ZCLCM	Common Mode Inductor

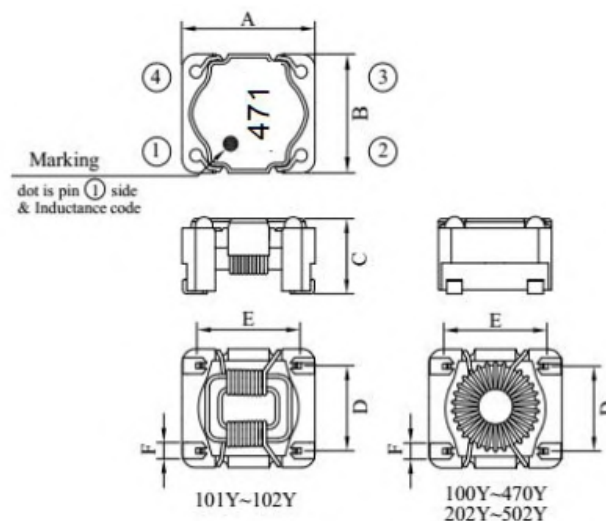
02 External Dimensions (LxW)(mm)	
1006	10.0x 8.7

03 Performance Code	
C	

04 Nominal Inductance	
Example	Nominal value
100	10uH
101	100uH
102	1000uH

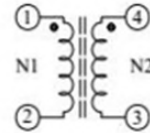
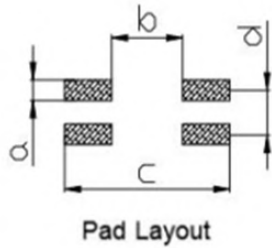
05 Tolerance	
M	±20%
N	±30%
Y	±50%

## SHAPE AND DIMENSIONS



Part Number	Dimensions(mm)					
	A	B	C	D	E	F
CLCM-1006	9.5±0.5	8.7±0.3	6.5Max	6.2±0.1	7.62±0.1	1.4Ref

## RECOMMENDED PC BOARD PATTERN



Part Number	Dimensions(mm)			
	a	b	c	d
CLCM-1006	2.7Typ	4.92Typ	10.32Typ	3.52Typ

## SPECIFICATIONS

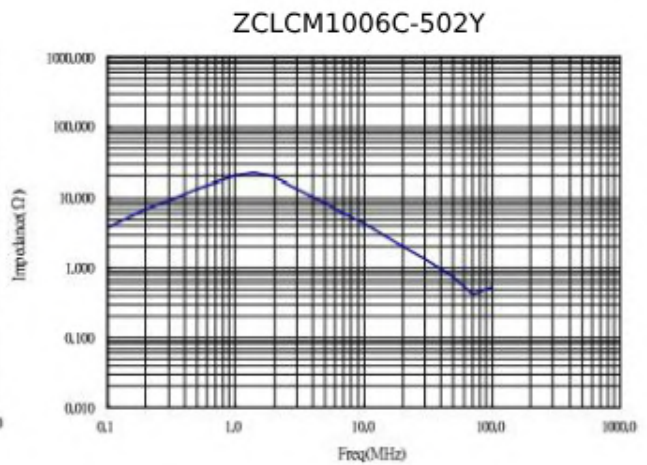
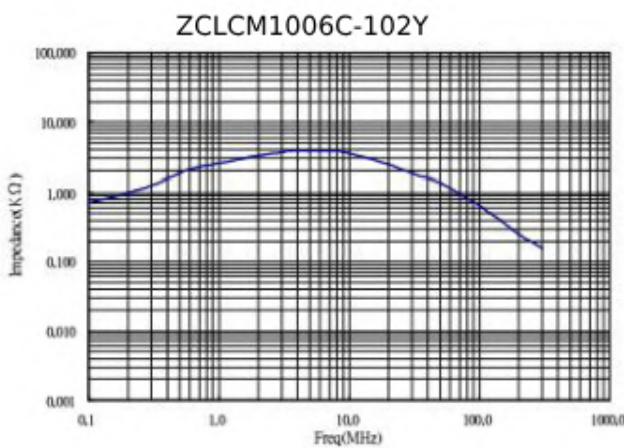
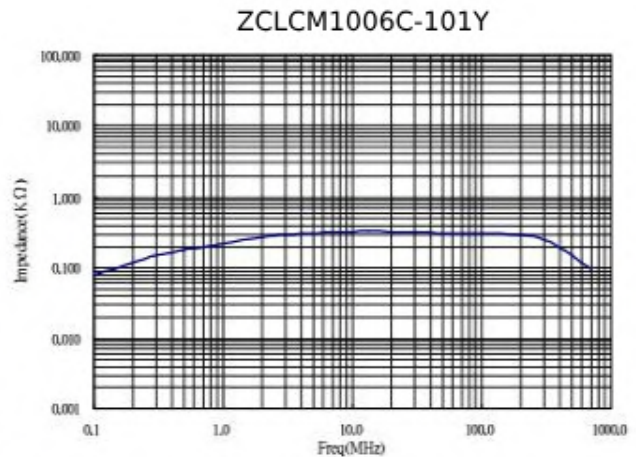
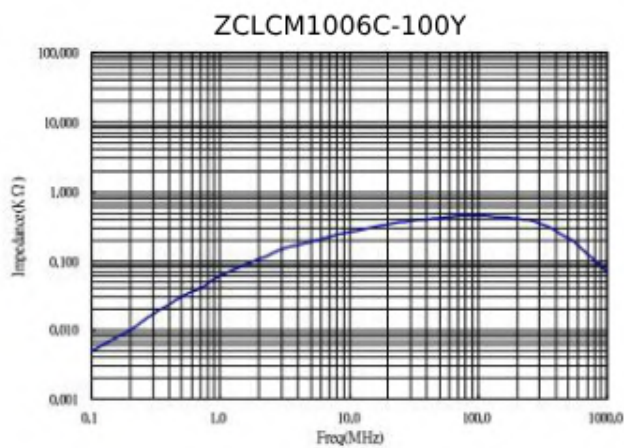
### ● ZCLCM1006 TYPE

Part Number	Inductance L1=L2 (uh)	Test Frequency (KHz/V)	DCR N1 N2 Max(Ω)	Rated Current Max (A)	Impedance(Q)Min	Frequency Rang (MHz)	Hi-Pot(Vac)3mA/IS
ZCLCM-1006C-100Y	6uh +40%/-40%	1.0/0.1V	0.003	4.0	100	10-300	600
ZCLCM-1006C-220Y	22uh +40%/-40%	1.0/0.1V	0.035	3.8	300	10-200	600
ZCLCM-1006C-470Y	47uh +40%/-40%	1.0/0.1V	0.040	3.2	800	10-100	600
ZCLCM-1006C-101Y	100uh +40%/-40%	1.0/0.1V	0.030	3.0	100	10-300	1000
ZCLCM-1006C-121Y	120uh +40%/-40%	1.0/0.1V	0.025	2.5	200	10-200	1000
ZCLCM-1006C-201Y	200uh +40%/-40%	1.0/5mV	0.015	3.0	300	7-150	1000
ZCLCM-1006C-221Y	100uh +40%/-40%	1.0/5mV	0.032	2.2	350	7-150	1000
ZCLCM-1006C-251Y	250uh +40%/-40%	1.0/5mV	0.035	2.0	400	5-100	1000
ZCLCM-1006C-331Y	330uh +40%/-40%	1.0/5mV	0.048	2.5	500	5-100	1000
ZCLCM-1006C-471Y	470uh +40%/-40%	1.0/5mV	0.065	1.6	900	2-40	1000
ZCLCM-1006C-501Y	500uh +40%/-40%	1.0/5mV	0.070	1.5	800	2-50	1000

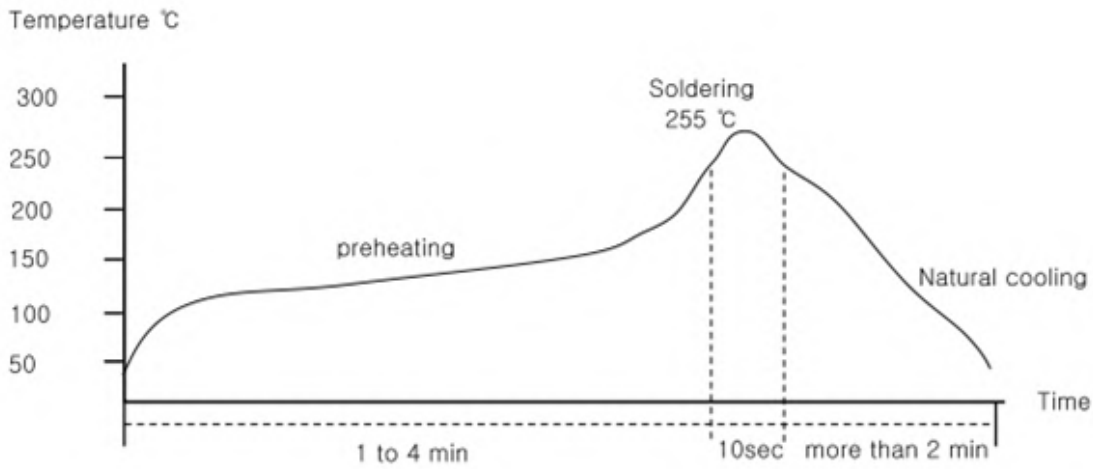
Part Number	Inductance L1=L2 (uh)	Test Frequency (KHz/V)	DCR N1 N2 Max(Ω)	Rated Current Max (A)	Impedance(Q)Min	Frequency Rang (MHz)	Hi-Pot(Vac)3mA/IS
ZCLCM-1006C-102Y	1000uh +40%/-40%	1.0/5mV	0.180	0.95	1400	1-40	1000
ZCLCM-1006C-202Y	2000uh +40%/-40%	1.0/5mV	0.270	0.80	2000	0.5-15	300
ZCLCM-1006C-222Y	2200uh+40%/-40%	1.0/5mV	0.300	0.75	3400	1-11	300
ZCLCM-1006C-332Y	3300uh +40%/-40%	1.0/5mV	0.330	0.65	4400	0.9-7	300
ZCLCM-1006C-472Y	4700uh +40%/-40%	1.0/5mV	0.72	0.35	6200	0.6-3	300
ZCLCM-1006C-502Y	5000uh +40%/-40%	1.0/5mV	0.78	0.30	5000	0.5-3	300

## DETAIL ELECTRICAL CHARACTERISTICS

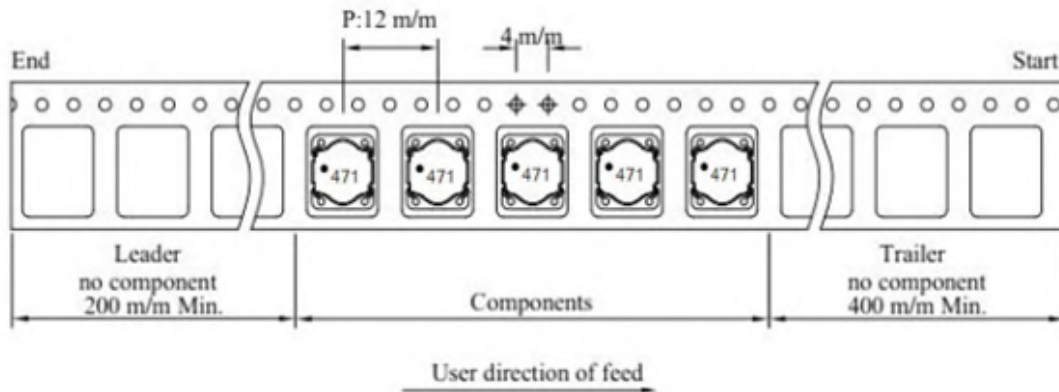
### ● ZCLCM1006



## RELIABILITY TEST

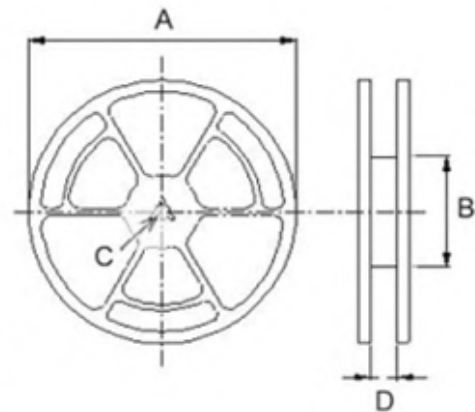
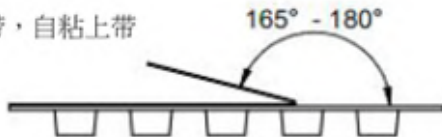


## PACKAGING STYLE



Tape width	Distance	Pull-of force
24 mm	12 mm	10~130g

透明下带，自粘上带



Reel Dimensions (Unit: mm)				Quantity
A	B	C	D	Pcs/Reel
330	100	13	24.5	800