

T Series Toroidal Coil Inductor



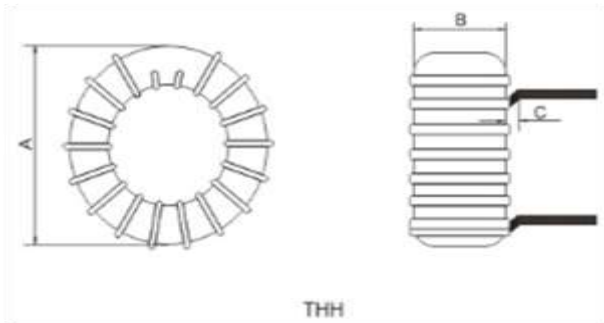
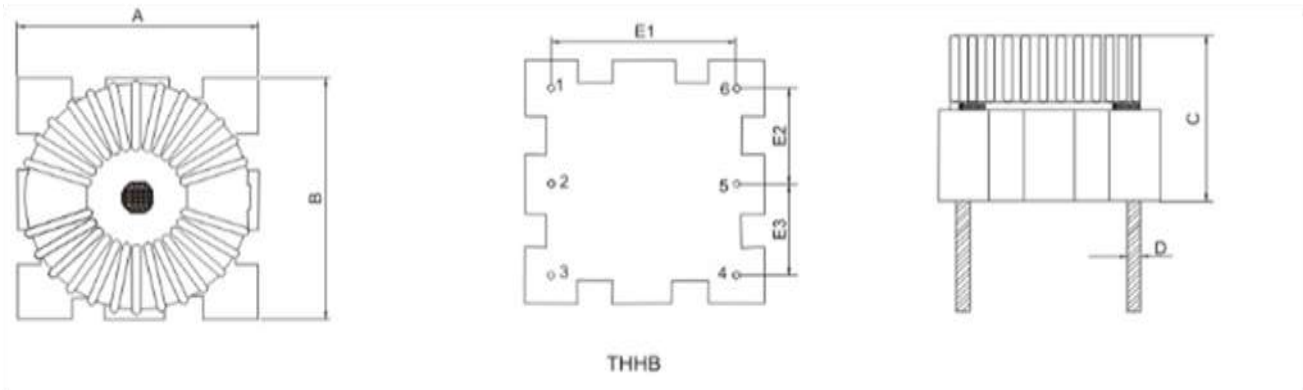
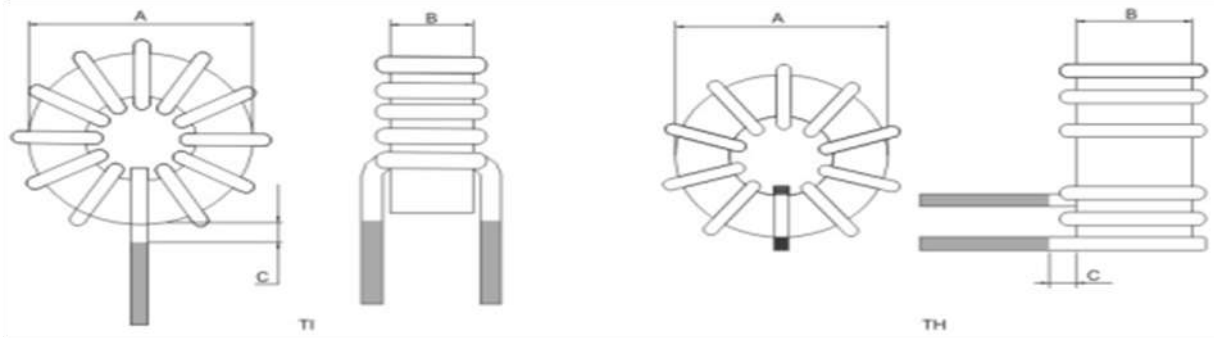
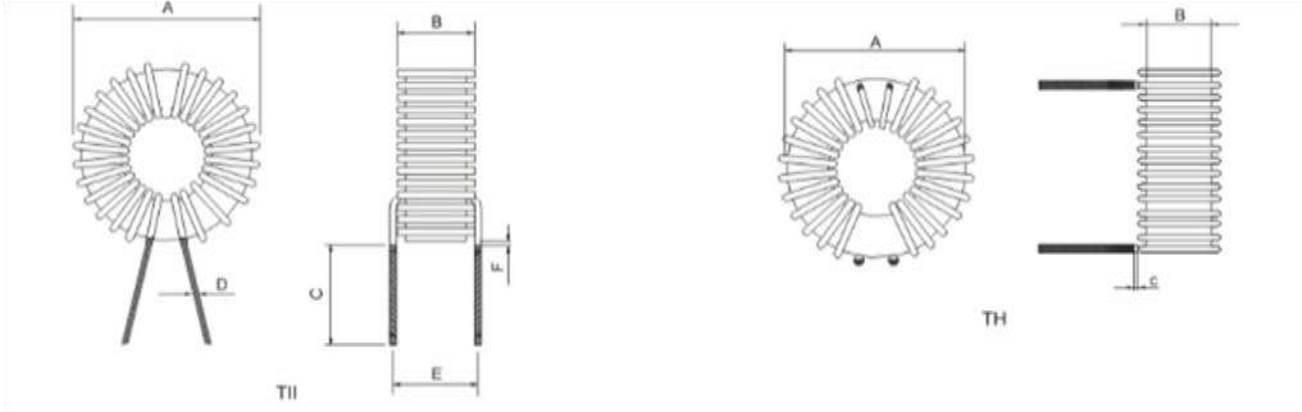
FEATURES

- Offering much lower losses, with energy storage capability high
- Toroidal distributed gap makes less leakage of magnetic flux
- High saturation current

APPLICATIONS

- EMI filters, loading coils and Q filters.
- Switching mode power supplies

SHAPE AND DIMENSIONS



Part Number	Dimensions (mm)		
	Φ Amax	Bmax	Fig
TI3026	11	6	TI
TI3726	12	7	
TI4426	16	8	
TI5026	18	8	
TI6026	20	10	
TI6053	22	10	
TI6826	22	10	
TI6826A	22	10	
TI8026	26	12	
TI9014	24	13	
TI9026	31	16	
TI10626	34	13	
TI15026	50	20	
TII5026	22	12	
TII5026B	24	14	
TII6026	20	10	
TII6510	22	12	
TII6826	22	12	
TH3008	12	7	TH



Specifications subject to change without notice. Please check our website for latest information.

Tel: 0086-769-85016657 Fax: 0086-769-85016658 E-Mail: sales@ZXcompo.com www.zxcompo.com

Part Number	Dimensions (mm)		
	Φ Amax	Bmax	Fig
TH3026	12	6	
TH4426	17	8	
TH5052	18	10	
TH5052B	18	12	
TH6008	19	12	
TH9426	30	13	
TH10608	32	16	
THH3026	10	6	THH、THH2
THH5026	20	10	
THH6026	21	12	
THH26826A	22	10	
THH28026	24	10	
THHB9X5X3	13	13	THHB

PRODUCT IDENTIFICATION



- ① Series name
- ② Product symbol (I、H、II、HH)
- ③ Magnetic core specification
- ④ Material No
- ⑤ Inductance: R47-0.47uH 4R7-4.7uH 470-47uH
- ⑥ Tolerance: K: $\pm 10\%$ M: $\pm 20\%$ N: $\pm 30\%$



Specifications subject to change without notice. Please check our website for latest information.

Tel: 0086-769-85016657 Fax: 0086-769-85016658 E-Mail: sales@ZXcompo.com www.zxcompo.com

SPECIFICATIONS

● TI TYPE

Part Number	Inductance (uH)	Tolerance	Test Frequency (KHz/V)	DCR Max(Ω)	Irams Max(mA)	Isat Max (mA)
TI3026-2R2□	2.2	K、M、N	1/0.25	0.015	700	3000
TI3026-4R7□	4.7			0.025	500	2000
TI3026-100□	10			0.045	350	1500
TI3026-270□	27			0.100	250	1000
TI3026-500□	50			0.120	200	800
TI3026-101□	100			0.360	150	700
TI3726-240□	24			0.080	250	1000
TI4426-5R6□	5.6			0.020	700	3000
TI4426-500□	500			0.060	500	2000
TI5026-R82□	0.82			0.005	1000	5000
TI5026-4R7□	4.7			0.020	800	4000
TI5026-8R2□	8.2			0.030	800	3500
TI5026-600□	60			0.100	700	3000
TI5026-101□	100			0.150	700	3000
TI5026-151□	150			0.200	600	2500
TI6026-2R5□	2.5			0.010	12000	6000
TI6026-3R3□	3.3			0.015	3000	15000
TI6026-220□	22			0.045	1000	5000
TI6026-900□	90			0.075	700	3000
TI6026-151□	150			0.090	600	2500
TI6053-220□	220			0.040	350	1500
TI6826-1R5□	1.5			0.005	15000	7000
TI6826-2R1□	2.1			0.010	700	3000
TI6826-250□	25			0.050	900	4500
TI6826-320□	32			0.060	800	4000
TI6826-430□	43			0.100	700	3000
TI6826-111□	110			0.100	600	2500
TI6826-131□	130			0.150	500	2000
TI6826A-2R1□	2.1			0.005	12000	6000



Specifications subject to change without notice. Please check our website for latest information.

Tel: 0086-769-85016657 Fax: 0086-769-85016658 E-Mail: sales@ZXcompo.com www.zxcompo.com

Part Number	Inductance (uH)	Tolerance	Test Frequency (KHz/V)	DCR Max(Ω)	Irams Max(mA)	Isat Max (mA)
TI8026-500□	50	K、M、N	1/0.25	0.030	1000	5000
TI8026-600□	60			0.035	900	4500
TI8026-101□	100			0.040	800	4000
TI8026-221□	220			0.065	750	3500
TI9014-152□	1500			0.015	900	5000
TI9014-103□	10000			0.045	800	4000
TI9026-R82□	0.82			0.080	900	5000
TI9026-1R8□	1.8			0.010	3000	12000
TI9026-680□	68			0.050	2000	10000
TI9026-321□	320			0.120	900	5000
TI9026-471□	470			0.120	1500	7000
TI10626-300□	30			0.028	2000	10000
TI10626-350□	35			0.030	2000	10000
TI10626-121□	120			0.050	2000	10000
TI15626-350□	35			0.056	900	5000

Note: When ordering, please specify tolerance code. Tolerance: K: ±10%、M: ±20%、N: ±30%;

1. Operating temperature range -40 -125℃
2. Isat for idncutance drop 30% from its value without current

● TII TYPE

Part Number	Inductance (uH)	Tolerance	Test Frequency (MHz/V)	DCR Max(Ω)	Irams Max(mA)	Isat Max (mA)
TII5026-200/200□	20	K、M、N	1/0.25	0.040	700	3000
TII5026-8R2/8R2	8.2			0.040	900	5000
TII6026-1R2/1R2	1.2			0.020	800	4000
TII6026-220/220□	22			0.045	900	5000
TII6510-201/201□	200			0.010	900	5000
TII6826-430/430□	43			0.080	700	3000

Note: When ordering, please specify tolerance code. Tolerance: K: ±10%、M: ±20%、N: ±30%;

1. Operating temperature range -40 -125℃
2. Isat for idncutance drop 30% from its value without current

● TH TYPE

Part Number	Inductance (uH)	Tolerance	Test Frequency (MHz/V)	DCR Max(Ω)	Irams Max(mA)	Isat Max (mA)
TH3008-R56□	0.56	K、M、N	1/0.25	0.020	500	2000



Specifications subject to change without notice. Please check our website for latest information.

Tel: 0086-769-85016657 Fax: 0086-769-85016658 E-Mail: sales@ZXcompo.com www.zxcompo.com

Part Number	Inductance (uH)	Tolerance	Test Frequency (MHz/V)	DCR Max(Ω)	Irams Max(mA)	Isat Max (mA)
TH3026-7R2□	7.2	K、M、N	1/0.25	0.040	200	1000
TH3026-100□	10			0.045	500	2000
TH3026-270□	27			0.0100	100	400
TH4426-100□	10			0.090	500	2000
TH5052-330□	33			0.500	900	5000
TH5052B-330□	33			0.050	900	5000
TH6008-100□	10			0.040	2000	10000
TH6008-220□	22			0.045	900	5000
TH9426-501□	500			0.150	700	3000
TH10608-300□	30			0.045	2000	10000

Note: When ordering, please specify tolerance code. Tolerance: K: ±10%、M: ±20%、N: ±30%;

1. Operating temperature range -40 -125 °C
2. Isat for idncutance drop 30% from its value without current

● THH TYPE

Part Number	Inductance (uH)	Tolerance	Test Frequency (MHz/V)	DCR Max(Ω)	Irams Max(mA)	Isat Max (mA)
THH3026-4R7/4R7	4.7	K、M、N	1/0.25	0.035	700	3000
THH3026-150/150	15			0.080	20	100
THH5026-200/200	20			0.040	700	3000
THH5026-101/101	100			0.200	500	2000
THH5026-221/221	220			0.450	250	1000
THH6026-1R3/1R3	1.3			0.005	800	4000
THH6026-220/220	22			0.045	900	5000
THH6026-181/181	180			0.250	500	2000
THH26826A-1R5/1R5	1.5			0.005	1000	6000
THH28026-1R2/1R2	1.2			0.005	1000	6000
TH10608-300	30			0.045	2000	10000

Note: When ordering, please specify tolerance code. Tolerance: K: ±10%、M: ±20%、N: ±30%;

1. Operating temperature range -40 -125 °C
2. Isat for idncutance drop 30% from its value without current



Specifications subject to change without notice. Please check our website for latest information.

Tel: 0086-769-85016657 Fax: 0086-769-85016658 E-Mail: sales@ZXcompo.com www.zxcompo.com

● THHB TYPE

Part Number	Inductance (uH)	Tolerance	Test Frequency (MHz/V)	DCR Max(Ω)	Irams Max(mA)	Isat Max (mA)
THHB9×5× 3-301/301□	300	K、M、N	1/0.25	0.045	700	3000
THHB9×5× 501/501□	500			0.080	20	100
THHB10×6× 5-500/500□	50			0.030	500	2000
THHB10×6× 5-151/151□	150			0.040	500	2000
THHB10×6× 5-271/271□	270			0.065	350	1500
THHB10×6× 5-391/391□	390HJ			0.080	350	1500
THH6026-220/220 □	22			0.045	900	5000
THH6026-181/181 □	180			0.250	500	2000
THH26826A-1R5/1 R5□	1.5			0.005	1000	6000
THH28026-1R2/1R 2□	1.2			0.005	1000	6000
TH10608-300□	30			0.045	2000	10000

Note: When ordering, please specify tolerance code. Tolerance: K: ±10%、M: ±20%、N: ±30%;

1. Operating temperature range -40 -125℃
2. Isat for idncutance drop 30% from its value without current



Specifications subject to change without notice. Please check our website for latest information.

Tel: 0086-769-85016657 Fax: 0086-769-85016658 E-Mail: sales@ZXcompo.com www.zxcompo.com